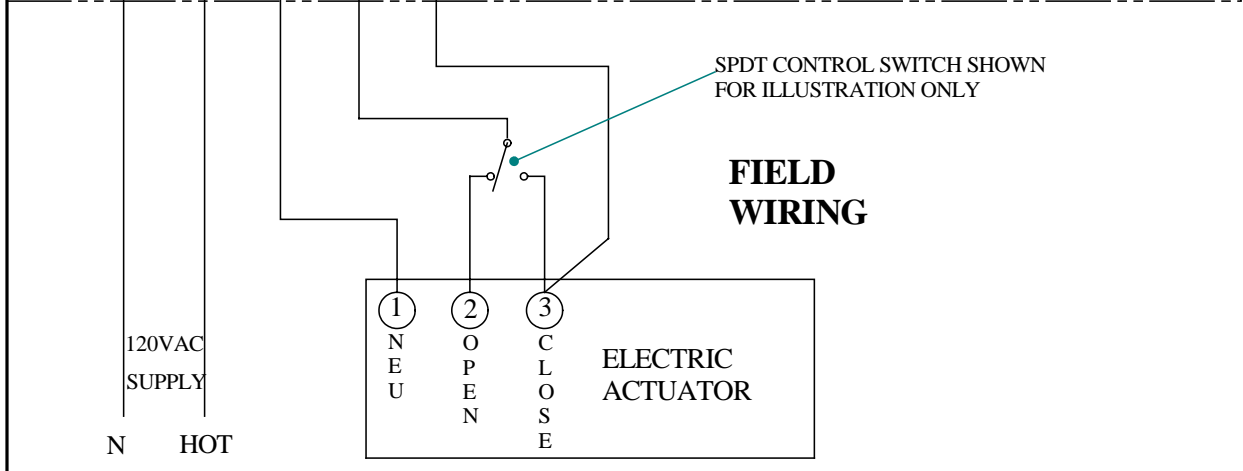


NOTES:
 ACTUATOR SHOWN TO FAIL TO CLOSE POSITION.

- T1 = NEUTRAL
- T2 = 120V-1PH SUPPLY
- T3 = NEUTRAL, OUTPUT
- T4 = 120V-1PH OUTPUT POWER
- T5 = 120V-1PH BACKUP POWER
- T6 = NOT USED

BACKUP POWER IS SQUARE SINE WAVE.



I C I Indelac Controls, Inc. Hebron, Ky. 41048	
WIRING DIAGRAM FOR ELECTRIC FAIL-SAFE DEVICE 120VAC-1PH SUPPLY POWER	10-14-98 JLR
	981014FS