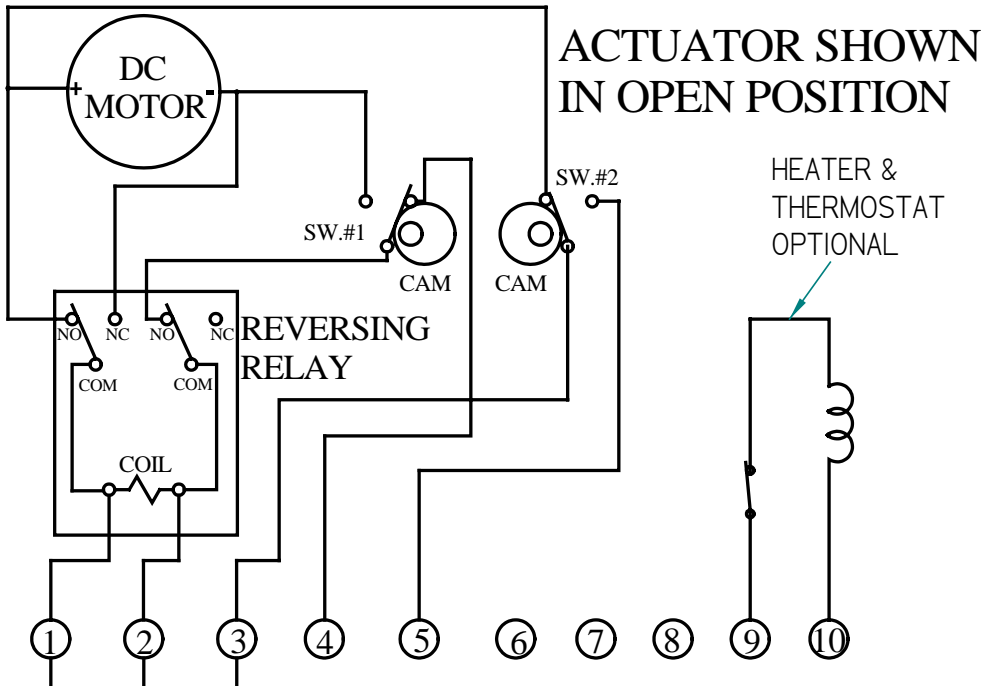


ACTUATOR SHOWN
IN OPEN POSITION



SWITCH #1 OPEN SWITCH
SWITCH #2 CLOSE SWITCH

OPERATION:
POWER TO 1 & 2 FOR CCW ROTATION
POWER TO 1 & 3 FOR CW ROTATION
TERMINALS 4 & 5 FOR FIELD LIGHT
INDICATION CONNECTION

FIELD WIRING

SPDT SWITCH SHOWN
FOR ILLUSTRATION
ONLY

DC VOLTAGE

I_{CI}	Indelac Controls, Inc. Hebron, Ky. 41048	
	WIRING DIAGRAM FOR DC ELECTRIC ACTUATOR w/REVERSING RELAY	
B		
JLR	8-21-91	910821