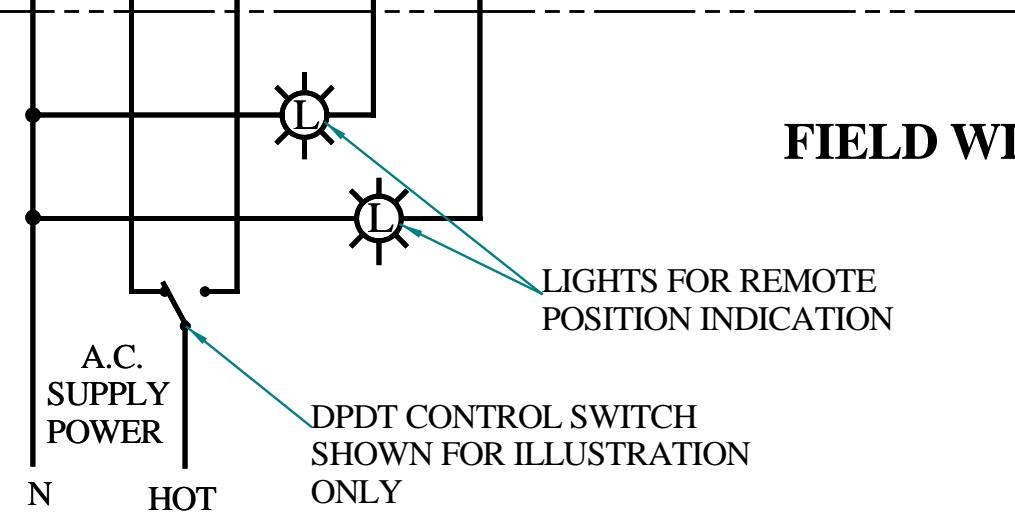


NOTES:
 POWER TO TERMINALS ONE & TWO OPENS THE VALVE
 (CCW ROTATION)
 POWER TO TERMINALS ONE & THREE CLOSSES THE VALVE
 (CW ROTATION)
 TERMINALS 4 & 5 ARE FOR LIGHT INDICATION
 WIRING DIAGRAM ILLUSTRATES THE ACTUATOR IN THE
 OPEN POSITION

FIELD WIRING



	WIRING DIAGRAM FOR STANDARD 1PH/60Hz/AC ELECTRIC ACTUATOR ILLUSTRATING SOME COMMON OPTIONS	JLR 5-19-99
	990520	